

NOTICE! The installation of the Mini Franklin Gas Stove must conform with local codes, or in the absence of local codes, with the National Fuel Gas Code, ANSI Z233.1/NFPA 54.

The Mini Franklin Gas Stove must be vented with approved “direct-vent” pipe. Direct-Vent pipe has two concentric passageways which draw outside air in for combustion, and let exhaust gasses out.

Installation or replacement of gas piping, the gas stove, and repair or servicing of equipment shall be performed only by a qualified agency. The term “qualified agency” means any individual, firm, corporation, or company that either in person or through a representative is engaged in and is responsible for (a) installation or replacement of gas piping or (b) the connection, installation, repair or servicing of gas utilization equipment, who is experienced in such work, familiar with all precautions required, and has complied with all the requirements of the authority having jurisdiction.

Installation and repair should be done by a qualified service person. The appliance should be inspected before use and at least annually by a professional service person. More frequent cleaning may be required due to excessive lint from carpeting, bedding material, et cetera. It is imperative that control compartments, burners and circulating air passageways of the appliance be kept clean.

The Mini Franklin Gas Stove and its main gas supply valve must be disconnected from the gas supply piping system during any pressure testing of that system at test pressures in excess of 1/2 psi (3.5 kPa).

The Mini Franklin Gas Stove must be isolated from the gas supply piping system by closing its equipment shutoff valve during any pressure testing of the gas supply piping system at test pressures equal to or less than 1/2 psi (3.5 kPa).

An inlet pressure test point is provided on the gas control valve, immediately upstream of the gas supply connection to the Fireplace. An outlet pressure test point is also provided.

The Mini Franklin Gas Stove, when installed in a mobile home, must be electrically grounded in accordance with local codes or, in the absence of local codes, with the *National Electrical Code, ANSI/NFPA 70*.

A barrier designed to reduce the risk of burns from the hot viewing glass is provided with this appliance and shall be installed for the protection of children and other individuals at risk.

SAFETY PRECAUTIONS

- ◆ **This appliance is only for use with the type of gas indicated on the rating plate. This appliance may not be converted to use with other gasses unless a certified kit is used.**
- ◆ **This appliance is designed to burn either natural gas or propane. Do not attempt to burn wood, trash, or any other material in this appliance.**
- ◆ **This appliance may not be connected to a chimney serving a separate solid fuel-burning appliance.**

-
- ◆ **Due to high temperatures, the appliance should be located out of traffic and away from furniture and draperies.**
 - ◆ **Children and adults should be alerted to the hazards of high surface temperature and should stay away to avoid burns or clothing ignition.**
 - ◆ **Young children should be carefully supervised when they are in the same room as the appliance. Toddlers, young children, and others may be susceptible to accidental contact burns. A physical barrier is recommended if there are at-risk individuals in the house. To restrict access to a fireplace or stove, install an adjustable safety gate to keep toddlers, young children, and other at-risk individuals out of the room and away from hot surfaces.**
 - ◆ **Clothing or other flammable material should not be placed on or near the appliance.**
 - ◆ **The appliance area must be kept clear and free from combustible materials, gasoline, and other flammable vapors and liquids.**
 - ◆ **WARNING! Do not operate appliance with the glass front removed, cracked or broken. Replacement of the glass should be done by a licensed or qualified service person.**
 - ◆ **The flow of combustion and ventilation air must not be obstructed.**

-
- ◆ **Any safety screen or guard removed for servicing an appliance should be replaced prior to operating the appliance.**
 - ◆ **Do not use this appliance if any part has been under water. Immediately call a qualified service technician to inspect the appliance and to replace any part of the control system and gas control which has been under water.**
 - ◆ **CAUTION! Label all wires prior to disconnection when servicing controls. Wiring errors can cause improper and dangerous operation.**
 - ◆ **Verify proper operation after servicing.**

! SAFETY ALERT INDEX

- **DANGER! INDICATES A HAZARDOUS SITUATION WHICH, IF NOT AVOIDED WILL RESULT IN DEATH OR SERIOUS INJURY.**
- **WARNING! INDICATES A HAZARDOUS SITUATION WHICH, IF NOT AVOIDED COULD RESULT IN DEATH OR SERIOUS INJURY.**
- **CAUTION! INDICATES A HAZARDOUS SITUATION WHICH, IF NOT AVOIDED, COULD RESULT IN MINOR OR MODERATE INJURY.**
- **NOTICE: USED TO ADDRESS PRACTICES NOT RELATED TO PERSONAL INJURY.**

TO THE INSTALLING TECHNICIAN:

First, thank you from all of us at Woodstock Soapstone Co. for installing this Franklin Fireplace for one of our customers. If you have any questions about installation, please call us at 800-866-4344. Technical Support will be available Monday-Friday from 9:00 AM to 5:00 PM (ET), and Saturday 9:00 AM to 12:00 PM (ET). At any other time, you may leave a message with our answering service with your phone number and the best time to call, and we will return your call during the next business day.

Please also take the time to go through the Warranty Checklist with the owner. This will validate the warranty, assure us and the owner that the installation was performed to local and national codes, and help familiarize the owner with the safe operation of this gas Fireplace.

Installation must conform to these instructions and local codes or, in the absence of local codes, with the current National Fuel Gas Code ANSI Z233.1.

We at Woodstock Soapstone Company are proud to manufacture top quality hearth products. When you install this Fireplace, we ask that you maintain our tradition of conscientious effort to make our customers happy with our product and service.

QUESTIONS:
1-800-866-4344
Monday – Friday
9:00 AM to 5:00 PM (ET)
Saturday
9:00 AM to 12:00 PM (ET)

WARNING: This unit must be installed by a qualified gas technician in accordance with local codes or in the absence of local codes, with the most current edition of the National Fuel Gas Code ANSI Z223.1/NFPA 54.

TABLE OF CONTENTS

| Section | Page | Section | Page |
|--|-------|--|------|
| 1) Code Approvals..... | 2 | 13) Troubleshooting - Installer only..... | 16 |
| 2) Specifications | 2 | 14) Operating your Gas Fireplace..... | 17 |
| 3) Tools Needed to Install the Fireplace..... | 3 | 15) Lighting Instructions | 18 |
| 4) Approved Venting/Chimney Materials | 3 | 16) Safety Instructions | 21 |
| 5) Approved Clearances for Inside Locations..... | 4 | 17) Remote Control | 22 |
| 6) Approved Venting/Chimney Configurations | 6 | 18) Lighting the Fire for Remote Control Owners..... | 24 |
| 7) Approved Venting/Chimney Terminal Clearances .10 | | 19) Routine Maintenance | 25 |
| 8) Assembling the Mini Franklin Gas Fireplace..... | 11 | 20) Annual Inspection | 27 |
| 9) Pre-Installation Inspection Checklist | 12 | 21) Troubleshooting - Owner | 28 |
| 10) Connecting the Gas Supply/Testing the Flame..... | 12 | 22) Warranty | 30 |
| 11) Air Shutter Adjustment / Screen Barrier..... | 13-14 | Appendix A - Parts List..... | 31 |
| 12) Testing Check List and Warranty Registration..... (insert) | | Appendix B - Remote Control Installation | 33 |

1. CODE APPROVALS • Direct Vent • Natural Gas • LPG

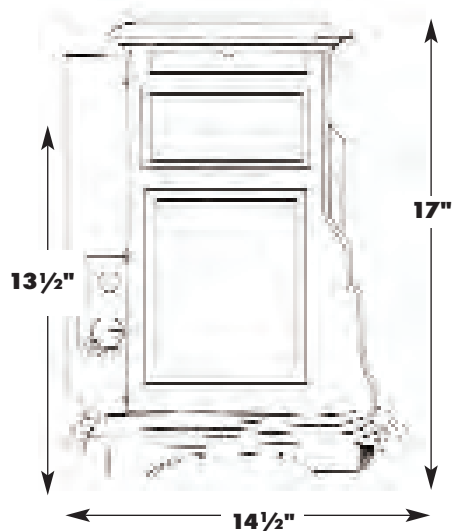


Illustration 2.1 Side View.

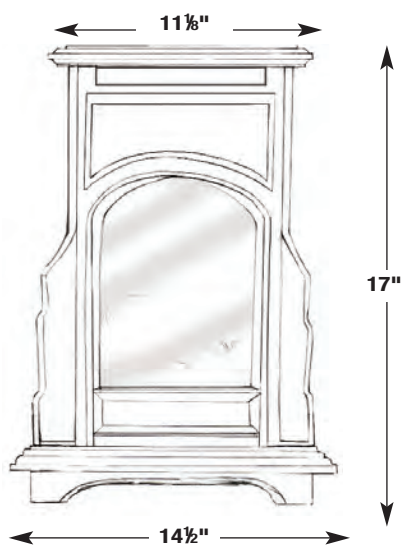


Illustration 2.2 Front View.

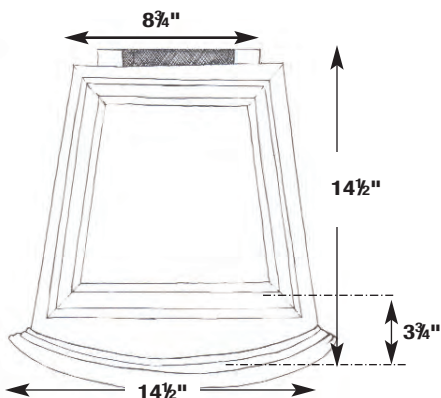


Illustration 2.3 Top View.

The Woodstock Mini Franklin Gas Stove is listed as a direct vent appliance. This type of appliance draws all of its air for combustion from outside of the dwelling through specially designed pipe. It can be used with natural gas or LPG (liquid propane gas).

Approved to: American National Standard Z21.88-2017

2. SPECIFICATIONS

For The Woodstock Mini Franklin Gas Stove:

| | |
|--|------------------------------------|
| Fuel |Liquefied Petroleum Gas (LPG) |
| |Natural Gas (NG) |
| Manifold Pressure, LPG |10.5" w.c. |
| Manifold Pressure, NG |3.5" w.c. |
| Minimum inlet supply pressure for input adjustment LPG |11.0" w.c. |
| Minimum inlet supply pressure for input adjustment NG |4.0" w.c. |
| Maximum inlet supply pressure LPG |14.0" w.c. |
| Maximum inlet supply pressure NG |14.0" w.c. |
| Input, Btu/Hr (0 – 2,000 ft.) | LPG Max.8,349 |
| | Min.6,677 |
| | NG Max.10,201 |
| | Min.7,349 |
| Output, Btu/Hr | LPG Max.5,458 |
| | Min.4,435 |
| | NG Max.6,648 |
| | Min.4,654 |
| Orifice size, LPG | |
| Sea level to 3000' |#69 |
| 3001' to 6000' |#71 |
| 6001' to 9000' |#73 |

| | |
|--------------------|----------|
| Orifice size: NG | |
| Sea level to 2000' |#55 |
| 2001' to 5000' |#56 |
| 5001' to 9000' |#57 |

| | |
|---|---|
| AFUE: (Annual Fuel Utilization Efficiency)LPG |(77% minimum) |
| AFUE: (Annual Fuel Utilization Efficiency)NG |(72% minimum) |
| Glass Panel |High temperature ceramic glass |
| Weight, Fireplace only |75 lbs. |
| shipping |88 lbs. |
| Ignition |Standing pilot with Piezo ignition |

Hearth: The hearth immediately under the Stove should be constructed of non-combustible material - ceramic tile (not vinyl), stone, or metal. Protect wood, carpet or any combustible surface with a hearth that covers an area equal to the full width and depth of the Stove (14½" x 14½") or greater.

A hearth pad of size 16 x 16 inch is recommended

Clearance to combustible materials

| | |
|-------------------------------|------|
| Front of Firebox | 20" |
| Sides of Stove..... | 2" |
| Rear of Stove | 2" |
| Rear Corners of Stove | 1.5" |
| Rear of 90 Degree Elbow | 3" |

3. TOOLS NEEDED TO INSTALL THE FIREPLACE

- Multi-meter (millivolt)
- Strap Wrench for Pipe Installation
- Manometer
- Gas Sniffer
- Phillips Screwdriver
- Glass Cleaner and Towels
- Flashlight
- Drill/Driver to install screws in first section of vent pipe
- 5/32" Allen Wrench (To adjust leveling screws in stove base)

4. APPROVED VENTING/CHIMNEY MATERIALS

The venting/chimney system for your Mini Franklin Gas Stove must be constructed of 3" x 5" Heat Fab SC direct vent gas pipe. Direct vent pipe brings fresh air into the stove and vents exhaust gasses at the same time (see illustration 4.1). The Mini Franklin Gas Stove must be installed with this pipe to conform to safety requirements. The Mini Franklin Gas Stove may not be connected to a flue serving any other appliance.

Some approved venting materials are only available from Woodstock Soapstone Company. Approved components are listed below.

Available 3"x 5"Direct Vent Pipe:

| Description | 3"x5" Direct Vent |
|--------------------------------------|-------------------|
| 6" Straight Pipe (3"x5") | SC03L6-316 |
| 12" Straight Pipe (3"x5") | SC03L12-316 |
| 12.5"-19.5" Adjustable Pipe (3"x5") | SC03LAJ-316 |
| 24" Straight Pipe (3"x5") | SC03L24-316 |
| 36" Straight Pipe (3"x5") | SC03L36-316 |
| 45 Degree Elbow (3"x5") | SC03E45-316 |
| 90 Degree Elbow (3"x5") | SC03E90-316 |
| Wall Thimble & Cover | WSC35-WT |
| Horizontal Termination Cap | WSC35-HC |
| Snorkel Termination Cap | 35WSS-SNK |
| Support Box | 35WSS-SB |
| Termination Cap & Storm Collar | 34GSS-SC |
| Vertical Termination Adapter | SC03VT |
| Adj Roof Flashing (2/12-6/12 pitch) | SC03TCFA |
| Adj Roof Flashing (6/12-12/12 pitch) | SC03TCFB |

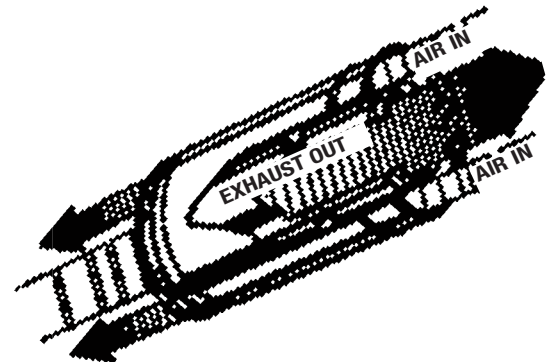


Illustration 4.1 Direct-vent pipe sends exhaust out and brings air in at the same time.

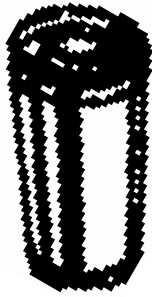


Illustration 4.2 All approved Heat Fab Direct Vent Pipe has an inside passage to vent exhaust gasses, and an outside passage used to bring in fresh air for combustion.

WARNING! Due to high temperatures, the Mini Franklin Gas Stove should be placed out of traffic and away from furniture, draperies and other combustibles.

The Mini Franklin Gas Stove is approved for venting in three configurations:

- (1) Up vertically and then elbow through an outside wall with a maximum vertical rise of 6 feet and maximum horizontal run of 3 feet. The ratio of rise to run must be a minimum of 2:1. Minimum specifications are 36 inch rise and 6 inch run.
- (2) Straight out the back through an outside wall and into a 38" vertical snorkel termination cap (maximum 2' horizontal run, with 1/4" rise per foot of run; a rear vent may include a 45 degree elbow for corner installation).
- (3) Straight up, with a maximum of a 10 foot rise above the flue outlet.

NOTE: Details for these three configurations start on page 5. No two installations are exactly alike. If you have any questions please call customer service for assistance at 1-800-866-4344.

5. APPROVED CLEARANCES FOR INSIDE LOCATIONS

The surface of the Mini Franklin Gas Stove is hot when the appliance is in use. A safe installation requires that there be adequate clearances between the Mini Franklin Gas Stove and nearby combustible materials, so that combustible materials are not overheated. The diagrams that follow show minimum clearances between the Mini Franklin and nearby combustible materials.

Clearances for vent terminal locations are indicated in the diagram and chart on page 10.

Refer to the manufacturer's instructions regarding installation of your venting system through walls or ceilings. Use only Heat Fab SC Direct-Vent Flue Systems.

Please note the following considerations for the location of the vent terminal:

- 1. The horizontal run must rise a minimum of 1/4" per foot of run toward the vent termination.
- 2. The termination must not be recessed into the exterior wall or siding.
- 3. Clearances must be maintained around the vent termination. See illustrations on page 10.

The venting should be located so that people cannot be burned by accidentally touching hot vent surfaces while the stove is in operation.

The vent termination must be placed so that it cannot be damaged by automobile doors, lawn mowers or yard equipment, or falling ice and snow.

| CLEARANCES TO COMBUSTIBLE MATERIALS | |
|--|------|
| Front of Firebox | 20" |
| Sides of Stove | 2" |
| Rear of Fireplace | 2" |
| Rear Corners | 1.5" |
| Rear of 90 Degree Elbow .. | 3" |

WARNING: This unit must be installed by a qualified gas technician in accordance with local codes or in the absence of local codes, with the most current edition of the National Fuel Gas Code ANSI Z223.1/NFPA 54.

5. APPROVED CLEARANCES FOR INSIDE LOCATIONS CONT.

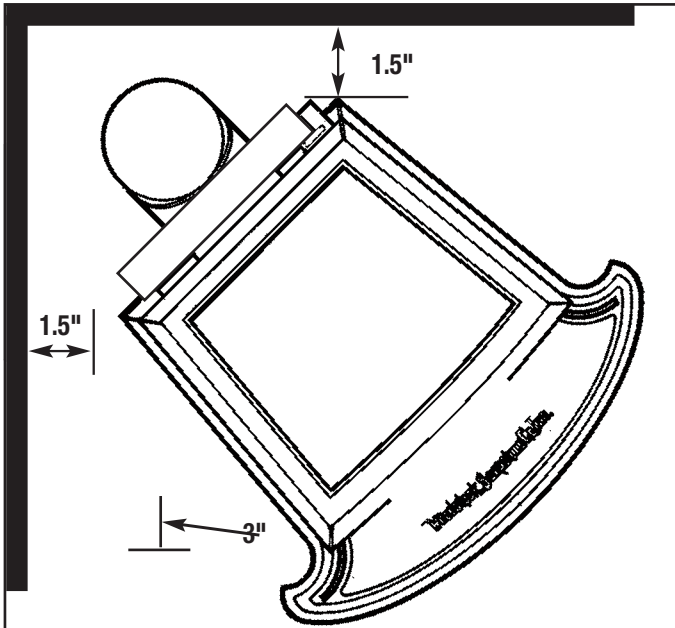


Illustration 5.1 *Minimum Clearances: Corner Installation*

- A Corner Installation**
- Minimum Clearances**
- Min. Clearance from corners to both side walls1.5"
- Pipe to wall (Vertical Vent)3"

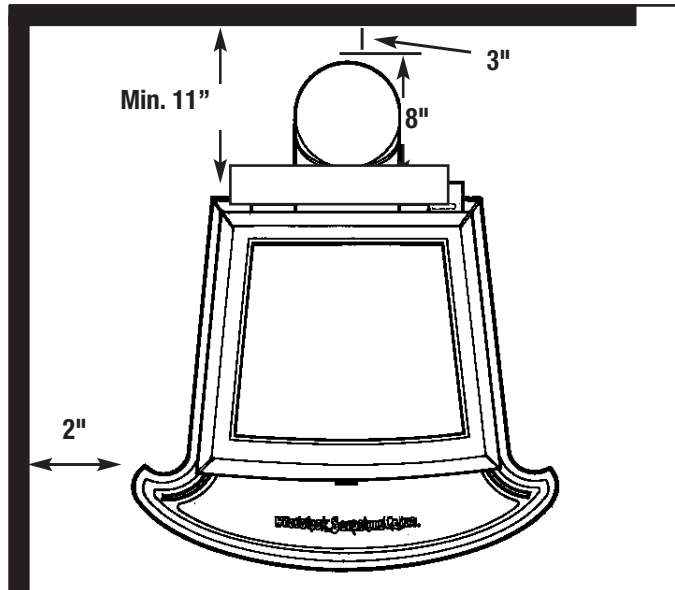


Illustration 5.2 *Minimum Clearances: Parallel Installation*

- B Parallel Installation**
- Minimum Clearances**
- Min. Clearance from back of pipe to wall3"
- Min. Clearance from Fireplace to side wall (Vertical vent)2"
- Min. clearance from back of stove to wall (Straight vent)11"

6. APPROVED VENTING/CHIMNEY CONFIGURATIONS

A. Side Wall Venting (Up & Out)

In this venting configuration, the pipe rises directly from the back of the Stove. The exhaust travels up, through two elbows, and out through a side wall. See illustration at left.

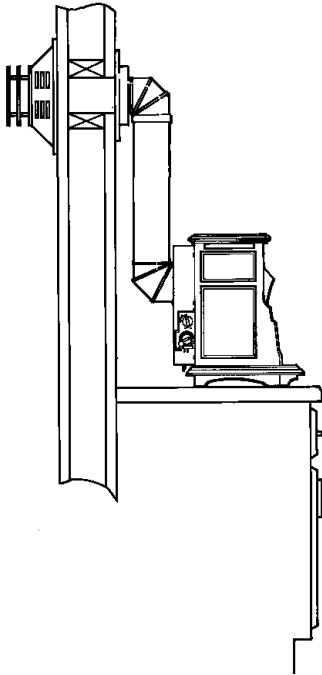


Illustration 6.1 (Up & Out)
Side wall venting configuration.



**ALL VENT CLEARANCES MUST BE MAINTAINED.
CHECK YOUR VENT CLEARANCES AGAINST THE
ILLUSTRATIONS ON PAGE 10.**

UP & OUT: MINIMUM AND MAXIMUM DISTANCES

- Maximum rise6 feet
- Maximum recommended run3 feet
- Maximum number of 90 deg elbows.....2
(one attached to flue outlet; one to go out through wall)

Note 1. The ratio of rise to run should be a minimum of 2:1

- Wall Opening:
 - Masonry wall.....7" opening
 - Non-masonry wall.....framed to 10" x 10"

Please note the following considerations for the location of the vent terminal:

1. The horizontal run must rise a minimum of 1/4" per foot of run toward the vent termination.
2. Clearances must be maintained around the vent termination. See illustrations on page 12.
3. The termination must not be recessed into the the exterior wall or siding.

The venting should be located so that people cannot be burned by accidentally touching hot vent surfaces while the Stove is in operation.

The vent termination must be placed so that it cannot be damaged by automobile doors, lawnmowers or yard equipment, or falling ice and snow.

B. Side Wall Venting (Straight Back with Snorkel)

In this venting configuration, the pipe runs directly out the back of the Stove, through an outside wall and then up with a snorkel termination cap. See illustration at left.

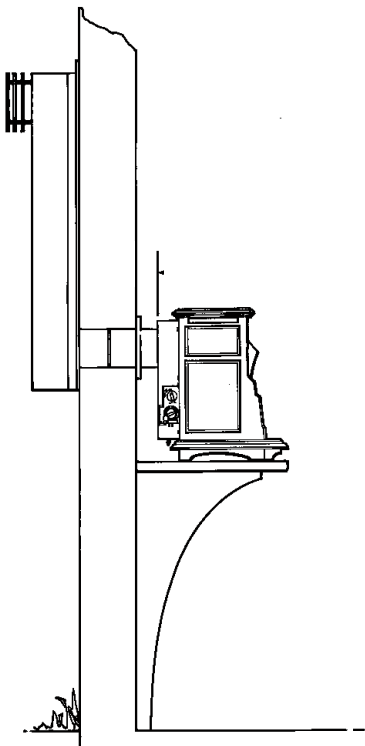


Illustration 6.2 (Snorkel Venting)

*If stove is vented straight back,
Snorkel attachment is required.*

SNORKEL MINIMUM AND MAXIMUM DISTANCES

- Maximum run24 inches
- Note: Use of a 45 deg. elbow to install in a corner location is allowed
- Minimum Distance between the inside wall and the back of Fireplace2"
- Wall Opening:
 - Masonry wall7" opening
 - Non-masonry wall.....framed to 8.5" x 8.5"



ALL VENT CLEARANCES MUST BE MAINTAINED. CHECK YOUR VENT CLEARANCES AGAINST THE ILLUSTRATIONS ON PAGE 10.

C. Vertical Venting (straight up through roof)

In this venting configuration, the pipe rises directly from stove and goes up through the roof, terminating above the roof. See illustration 6.3.

STRAIGHT UP: MINIMUM AND MAXIMUM DISTANCES

- Maximum vertical rise10'
 - Height of termination above roof must conform to chart below
- | Roof Pitch | A Minimum height from roof to lowest discharge opening |
|----------------|--|
| Flat to 6/12 | 1.0 feet |
| 6/12 to 8/12 | 2.0 feet |
| 8/12 to 10/12 | 3.0 feet |
| 10/12 to 12/12 | 4.0 feet |

*Max rise is 10'. No additional elbows are allowed.

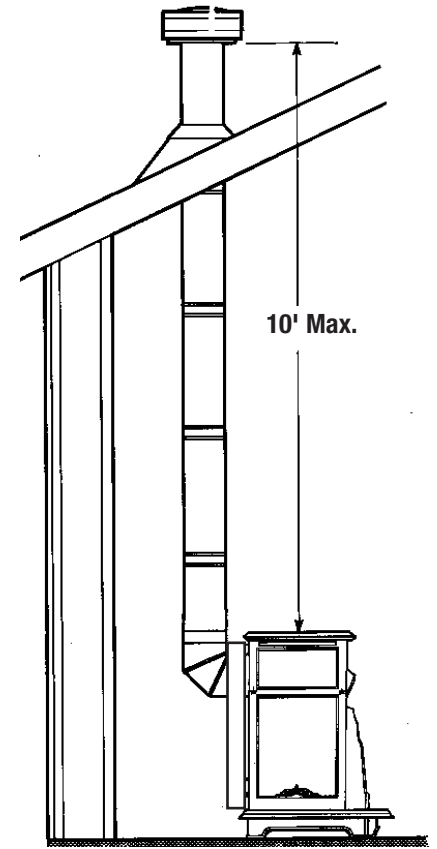


Illustration 6.3
Vertical venting configuration. (Max height 10')



ALL VENT CLEARANCES MUST BE MAINTAINED. CHECK YOUR VENT CLEARANCES AGAINST THE ILLUSTRATIONS AT LEFT, AND PAGE 10.

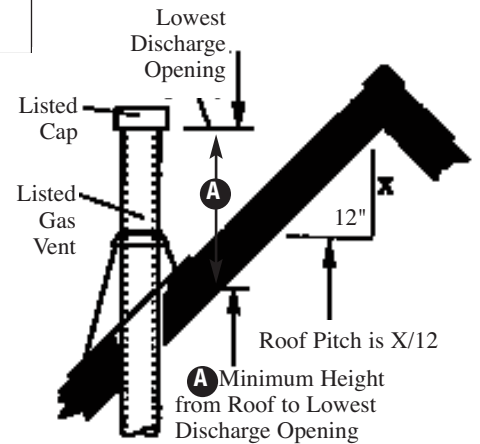


Illustration 6.4

MANUFACTURED HOUSING INSTALLATION

The Mini Franklin Gas Stove may be installed in Manufactured Housing with the following supplemental requirements:

- (1) The appliance must be securely bolted to the floor or wall mount with steel straps secured to the leg bolts and to the floor with minimum 1/4" lag bolts. Contact Woodstock Soapstone Company for steel straps.
- (2) The appliance must be grounded to the manufactured home trailer frame with a No. 8 (minimum) solid conductor.

The Mini Franklin Gas Stove is currently approved only for venting with the components listed previously on pages 3 and 4. Install the vent system according to the manufacturer's instructions, which are included with the components.



WARNING! This unit must be installed by a qualified gas technician in accordance with local codes or in the absence of local codes, with the most current edition of the National Fuel Gas Code ANSI Z223.1/NFPA 54.

Note: A manufactured home (USA only) or mobile home OEM installation must conform with the Manufactured Home Construction and Safety Standard, Title 24 CFR, Part 3280, or, when such a standard is not applicable, the Standard for Manufactured Home Installations, ANSI/NCSBCS A225.1, or Standard for Gas Equipped Recreational Vehicles and Mobile Housing, CSA Z240.4

7. APPROVED VENTING/CHIMNEY TERMINAL CLEARANCES

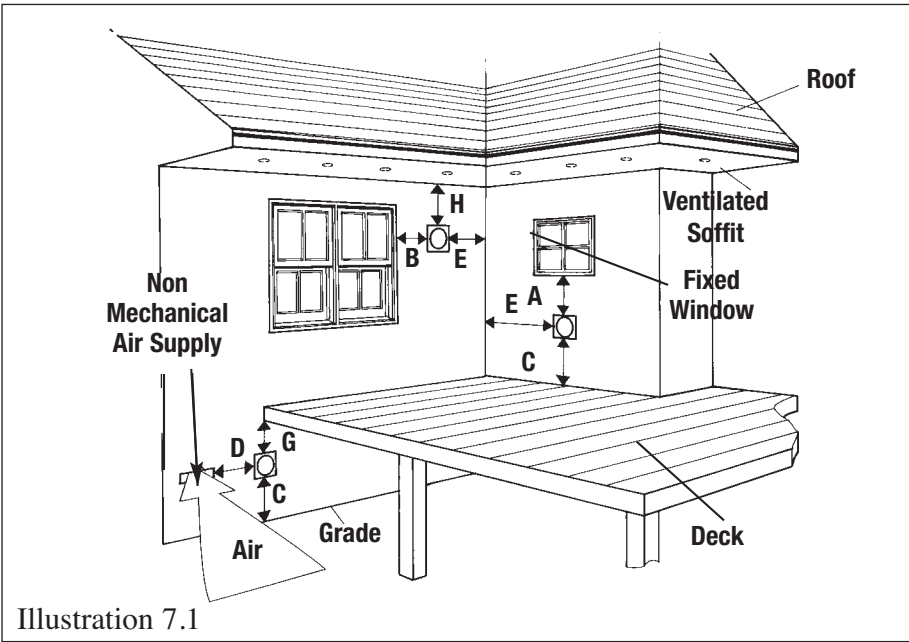


Illustration 7.1

- A. Clearance to a permanently closed window12"
- B. Clearance to a window or door that may be opened12"
- C. Clearance above grade. Also, clearance over deck, porch, veranda or balcony12"
- D. Clearance to non-mechanical air supply inlet or combustion air inlet of any other appliance12"
- E. Clearance to inside corner or adjacent wall.....12"
- F. Clearance to a non-ventilated soffit12"
- G. Clearance below deck, porch, veranda, or balcony if completely open on two sides18"

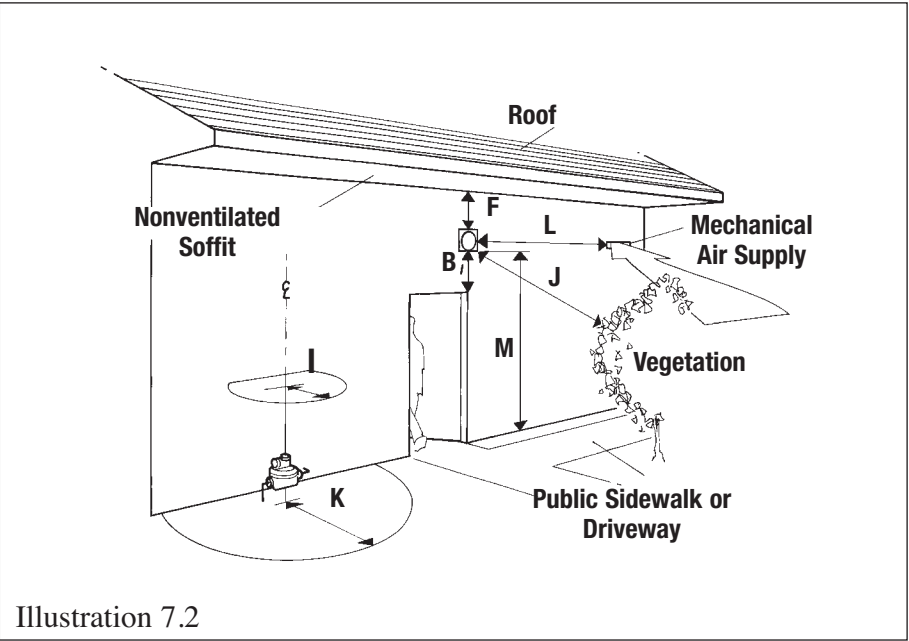


Illustration 7.2

- H. Clearance to ventilated soffit located above the terminal within a horizontal distance of 2 feet from the center of the terminal.....18"
- I. Clearance around a center line above service regulator .3 feet
- J. Clearance to vegetation..3 feet
- K. Clearance around a service regulator vent outlet.....6 feet
- L. Clearance to a mechanical air supply6 feet
- M. Clearance above a paved sidewalk or driveway on public property. May not terminate above a sidewalk or driveway which is between two single family dwellings and serves both dwellings7 feet

VENTING CONNECTION BASICS

Connecting the 3" x 5" Pipe to the Stove

1. The first section of pipe (elbow or straight) attached to the Mini Franklin needs to be secured to the flue collar with three self-tapping screws. Start by removing the two screws that hold the upper portion of the back cover to the stove. Set cover and screws aside.
2. With the cover removed you will see three screw holes at approx. 8, 12, and 4 o'clock. Fully insert the first piece of pipe into the flue collar (see following page for orientation). If it's an elbow, make sure it's plumb.
3. Use the predrilled holes as a pilot to drill (3) 1/8" hole through the OUTER PORTION OF THE PIPE ONLY. Secure the pipe with the supplied screws using the 1/4" nut driver. Now reinstall the upper back. If the first piece of pipe is an elbow, place the cover over the pipe with the wavy ventilation holes facing TOWARD you.
4. Slide the cover down the elbow and when you get past the curve, rotate the cover 180° so that the ventilation holes are facing UP. Put the 2 screws back in place to secure the cover to the stove.

Important Note on Direct Vent Pipe

The 3" inner pipe carries the exhaust out, while the 5" outer pipe carries the air/oxygen needed for combustion to the firebox. It is critical to get proper and complete connections throughout the vent system. An improper connection(s) can result in the exhaust gases traveling back through the air intake and depriving the firebox of the air it needs to burn properly.



VENTING CONNECTION BASICS

3" x 5" Direct Vent Pipe Orientation

1. The SC 3"x5" Direct Vent pipe connects to the Mini Franklin Gas Stove with the male end down (towards the stove) and the female end up (away from stove). The red rubberized gasket on the SC 3"x5" pipe is ALWAYS the female connection end.
2. The first section of SC pipe inserts into the 3" inner pipe welded to the Mini Franklin stove and into the 5" flue collar. Notice the SC pipe is designed with the 3" inner male end is slightly longer than the 5" outer male end.
3. The next section of SC Direct Vent pipe will continue to install with the male end down, female end up/away from stove.

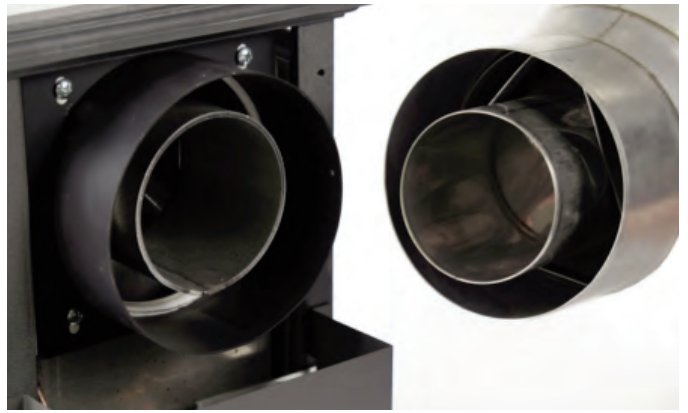
Termination Connections

Through the Roof Termination

- Requires a vertical terminatin adapter, along with the termination cap. The adapter keeps the exhaust gases and air intake separated.

Horizontal Termination

- The last pipe connection to either the horizontal termination cap or the snorkel termination has the inner 3" male exhaust from the termination inserting into the 3" female section of pipe. The 5" outer portion of the pipe will insert into the 5" section coming off of the horizontal termination or snorkel.



Male end of SC pipe inserts into the 3" & 5" collar on stove.



The red gasketed female end of the pipe shown facing up, or away from the stove.



The next section of SC pipe inserts with the male end down into the gasketed female end.

